

# HELIOS<sup>NA</sup>

MULTIGYM

Introducing the HELIOS-NA.

Our original HELIOS Multigym, but without moving parts, and over 11 different exercises!



## Real Fitness Equipment for Real Results

The HELIOS-NA Multigym takes the basics of indoor fitness equipment and delivers it to the outside world in a tamperproof, weatherproof, and durable package.

Compact, cost effective and completely safe with no moving parts, the HELIOS-NA is designed for any fitness level or ability.

 **TAMPERPROOF.**  **WEATHERPROOF.**  **SAFE.**

### ABSOLUTELY NO MOVING PARTS

The HELIOS-NA is built with absolutely no moving parts. It offers the same exercises and features of our original HELIOS multigym, without the assist mechanism. In its place is a fixed “assist lip” to still provide assistance for chin ups and dips.

### 11+ DIFFERENT EXERCISES

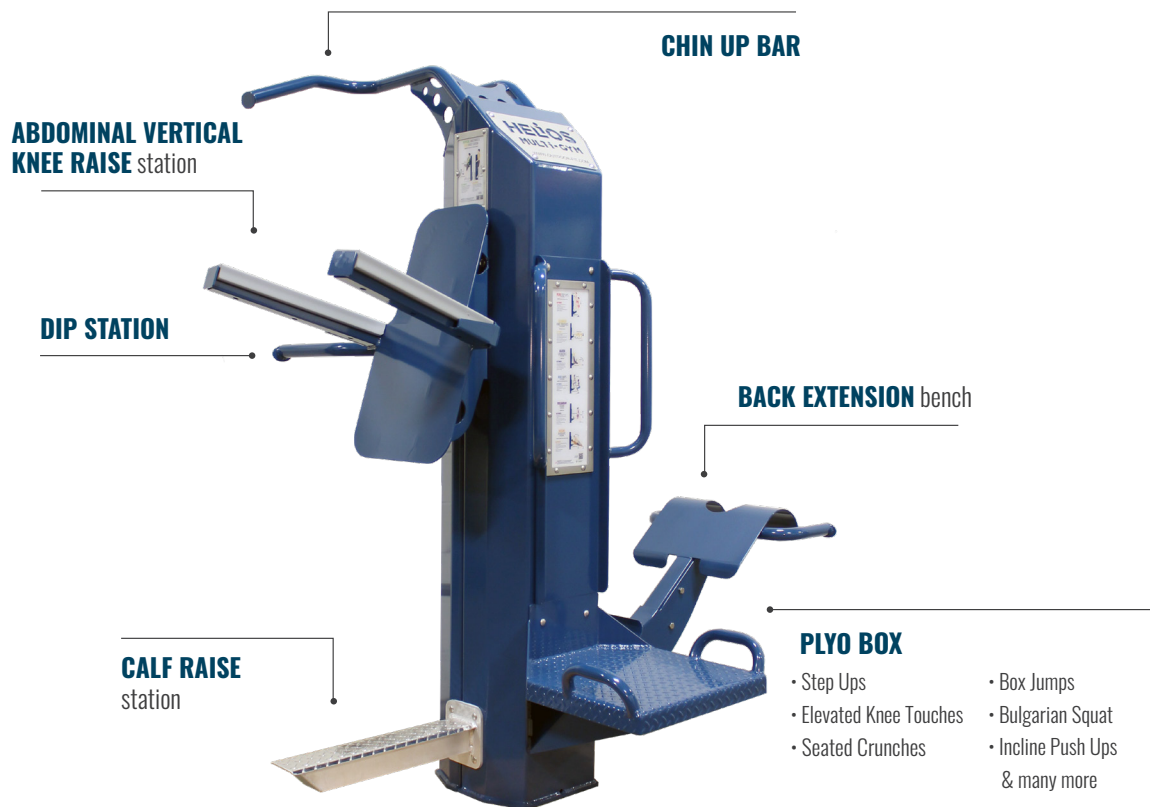
The HELIOS-NA is designed with over 11 different exercises, offering a full body workout.

With adjustability where needed, and functional fitness stations like our 16” plyo box, the HELIOS-NA is suitable for users of all fitness levels and abilities.

### MAINTENANCE FREE

The HELIOS-NA is a durable, compact, and real exercise outdoor fitness multigym that can withstand any climate or environment. Unsupervised areas such as public parks choose the HELIOS-NA because of its easy installation, zero maintenance design and 15-year warranty.

The HELIOS-NA is built to maximize indoor or outdoor exercise areas, with 11 exercises available:



### TECHNICAL SPECIFICATIONS



- Width:** 80" / 204 cm
- Length:** 65" / 166 cm
- Height:** 85" / 216 cm
- Weight:** 620 lbs / 282 kg
- Fall Height:** 84" / 213cm
- Use Zone:** 12'8" x 11'9"
- Shipping Weight:** 585 lbs / 265 kg
- Shipping Dimensions:** 44" wide x 45" long x 85" high / 112 cm wide x 122 cm long x 216 cm high



**Instructional Placards:** Reverse print with UV-stabilized ink on 1/4" thick Lexan. Bolted to the columns with a stainless steel trim ring using stainless steel carriage bolts.

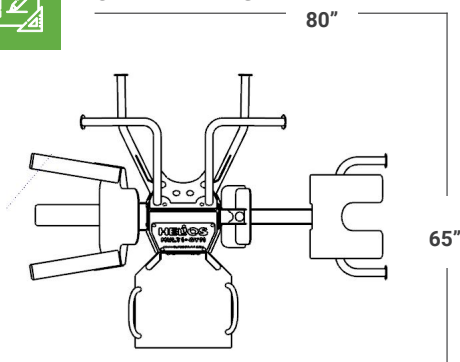
**Frame:** Constructed of 3/16" and 1/4" thick heavy-duty steel. All fasteners are tamperproof stainless steel carriage bolts with a smooth, rounded head and square neck. The locking nuts are shielded behind a padlocked access hatch.

**Finish:**

- All parts have surfaces prepped and cleaned of all mill scale, rust, oils, and dirt using shot blast and/or chemical wash.
- Primer coat is applied with epoxy zinc-rich primer (3-4 mil thickness) and cured in oven. Primer designed for superior rust protection. Tested for 3000 hours of salt spray resistance.
- Top finish coat is applied with TGIC-FREE weather-resistant polyester powder (3-4 mil thickness) and cured in oven. Tested for 1500 hours of salt spray resistance.
- All parts inspected to be free of paint defects prior to shipping.



**CAD DRAWING**



**HELIOS<sub>NA</sub>**  
MULTIGYM



**Accessibility:** It is the manufacturers' opinion that the Helios-NA Multigym conforms to the A.D.A. accessibility standard, assuming an accessible protective surfacing is provided or within the entire use zone.