

**PLAN VIEW**

**MANUFACTURER NOTES**

**SPECIFICATIONS**

<b>USER CAPACITY:</b>	6
<b>PRODUCT DIMENSIONS (in):</b>	113 x 59
<b>PRODUCT DIMENSIONS (cm):</b>	287 x 150
<b>WEIGHT (lb):</b>	717
<b>WEIGHT (kg):</b>	325
<b>ASTM PAD DIMENSIONS (ft):</b>	71 x 18
<b>ASTM PAD DIMENSIONS (m):</b>	21.6 x 5.5

**NOTES:**

1. INSTALLATION TO BE COMPLETED IN ACCORDANCE WITH MANUFACTURERS' SPECIFICATIONS
2. DO NOT SCALE DRAWING
3. THIS DRAWING IS INTENDED FOR USE BY ARCHITECTS, ENGINEERS, CONTRACTORS, CONSULTANTS AND DESIGN PROFESSIONALS FOR PLANNING PURPOSES ONLY. THIS DRAWING MAY NOT BE USED FOR CONSTRUCTION.
4. ALL INFORMATION CONTAINED HEREIN WAS CURRENT AT THE TIME OF DEVELOPMENT BUT MUST BE REVIEWED AND APPROVED BY OUTDOOR-FIT TO BE CONSIDERED ACCURATE.

**PROPRIETARY AND CONFIDENTIAL**  
 THE INFORMATION CONTAINED IN THIS DRAWING IS THE SOLE PROPERTY OF OUTDOOR-FIT. ANY REPRODUCTION IN PART OR AS A WHOLE WITHOUT THE WRITTEN PERMISSION OF OUTDOOR-FIT IS PROHIBITED.

**OUTDOOR-FIT  
EXERCISE  
SYSTEMS**

OUTDOOR-FIT  
 95 SIMMONDS DR.  
 DARTMOUTH NS  
 B3B1N7  
 TOLL FREE: 1-877-760-6337  
 EMAIL: INFO@OUTDOOR-FIT.COM  
 WEBSITE: OUTDOOR-FIT.COM

**CALI-RIG 37**

SKU #: OF-900-37

SCALE: 1:65

PAPER SIZE: 11" X 17"

DATE: 07-AUG-25

# MANUFACTURER NOTES

## SPECIFICATIONS

USER CAPACITY:	6
PRODUCT DIMENSIONS (in):	113 x 59
PRODUCT DIMENSIONS (cm):	287 x 150
WEIGHT (lb):	717
WEIGHT (kg):	325
ASTM PAD DIMENSIONS (ft):	71 x 18
ASTM PAD DIMENSIONS (m):	21.6 x 5.5

## NOTES:

1. INSTALLATION TO BE COMPLETED IN ACCORDANCE WITH MANUFACTURERS' SPECIFICATIONS
2. DO NOT SCALE DRAWING
3. THIS DRAWING IS INTENDED FOR USE BY ARCHITECTS, ENGINEERS, CONTRACTORS, CONSULTANTS AND DESIGN PROFESSIONALS FOR PLANNING PURPOSES ONLY. THIS DRAWING MAY NOT BE USED FOR CONSTRUCTION.
4. ALL INFORMATION CONTAINED HEREIN WAS CURRENT AT THE TIME OF DEVELOPMENT BUT MUST BE REVIEWED AND APPROVED BY OUTDOOR-FIT TO BE CONSIDERED ACCURATE.

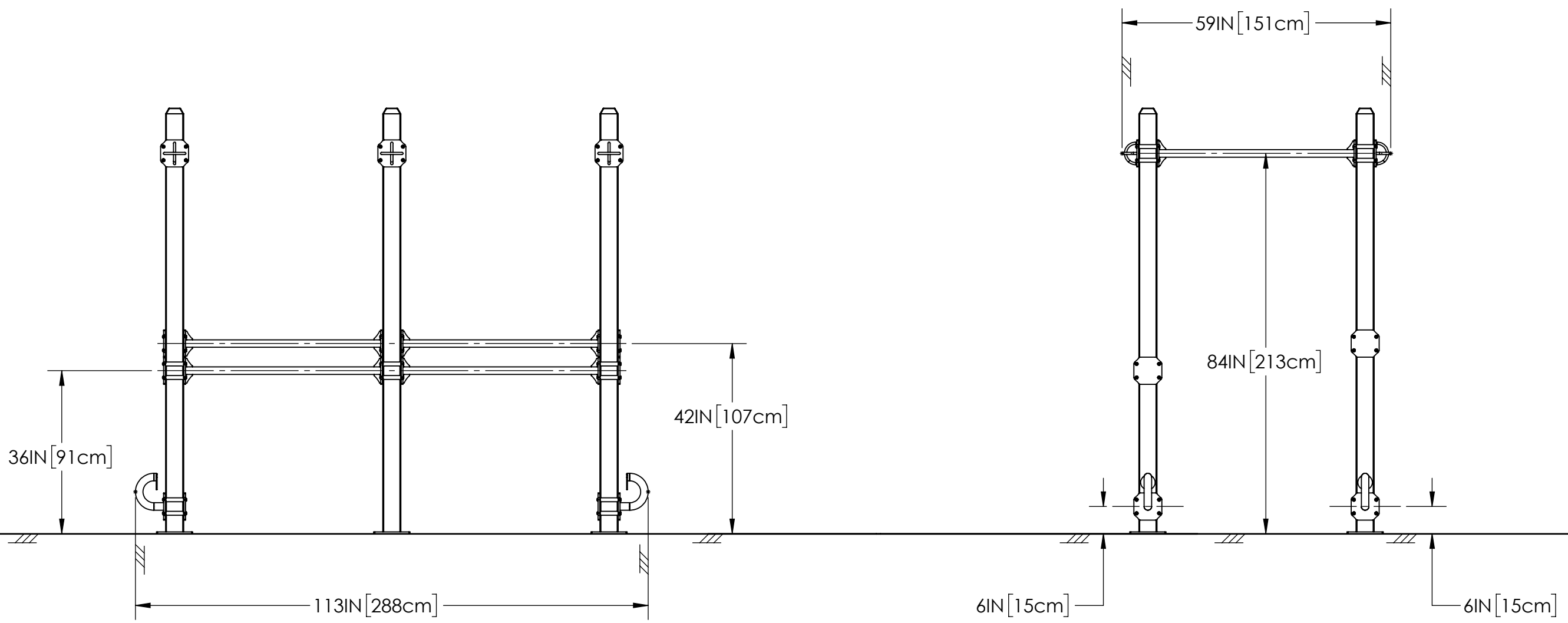
**PROPRIETARY AND CONFIDENTIAL**  
 THE INFORMATION CONTAINED IN THIS DRAWING IS THE SOLE PROPERTY OF OUTDOOR-FIT. ANY REPRODUCTION IN PART OR AS A WHOLE WITHOUT THE WRITTEN PERMISSION OF OUTDOOR-FIT IS PROHIBITED.

# OUTDOOR-FIT EXERCISE SYSTEMS

OUTDOOR-FIT  
 95 SIMMONDS DR.  
 DARTMOUTH NS  
 B3B1N7  
 TOLL FREE: 1-877-760-6337  
 EMAIL: INFO@OUTDOOR-FIT.COM  
 WEBSITE: OUTDOOR-FIT.COM

## CALI-RIG 37

SKU #: OF-900-37  
 SCALE: 1:25  
 PAPER SIZE: 11" X 17"  
 DATE: 07-AUG-25



**ELEVATION VIEW**